



Motor Starters - Motor Isolators



Motor starters

Flameproof - Group IIB Aluminium - AC1WD, DE8BA and ERSA series



The robust range of 3-poles explosion-proof motor starters with thermal relay is ideal for many applications. It is available in three versions:

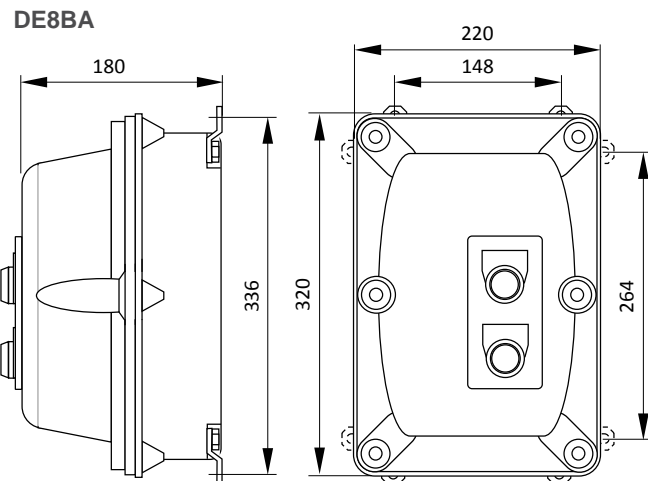
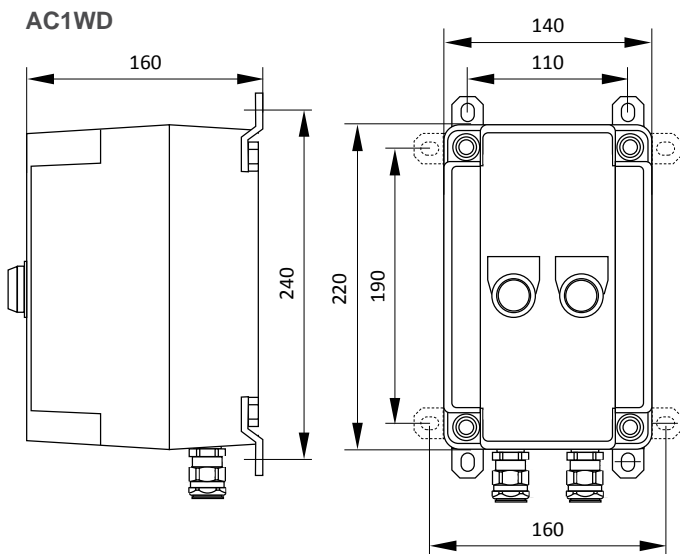
- with thermal overload relay, without contactor and no fuse
- with thermal overload relay and fuses, without contactor
- with thermal overload relay, contactor and fuses

A wide range of enclosures combined with a wide range of thermal overload relays, contactors, with or without fuses, allows customisation of the motor starters for different applications.

Any individual solution available on request.

TECHNICAL DATA

Material	Cast aluminium for AC1WD and ERSA, cast iron for DE8BA
IP rating	IP65 according to EN/IEC 60529
Temperature range	-20°C ... +40°C or +50°C or +60°C
Certificate	INERIS 03ATEX0145 for AC1DW INERIS 03ATEX144X for DE8BA INERIS 04ATEX0009X for ERSA
Marking	II 2 GD AC1WD Ex d IIB T6 Gb Ex tb IIIC T85°C Db DE8BA Ex d IIB T6 ... T4 Gb Ex tb IIIC T85°C ... 135°C Db ERSA Ex d IIB T6 ... T4 Gb Ex tb IIIC T85°C ... 135°C
Electrical features	AC1WD I _{max} = 65 A; U _{max} = 500 V DE8BA I _{max} = 220 A; U _{max} = 750 V ERSA I _{max} = 500 A; U _{max} = 1000 V
Mechanical endurance of the push buttons	Head: 5 million operations - Contact block: 1 million operations
Surface treatment	Painting RAL 7032 - Other colour on request



Product code (1) (2)	Rated current A	Motor power			Overload range A	Gas group	T° class	Weight kg
		230 V kW	400 V kW	500 V kW				
AC1WD09 ●● 06	9	-	0.37	0.75	1 ... 1.7	IIB	T6	5.00
AC1WD09 ●● 07	9	0.37	0.75	1.1	1.6 ... 2.5	IIB	T6	5,00
AC1WD09 ●● 08	9	0.75	1.5	2	2.5 ... 4	IIB	T6	5,00
AC1WD09 ●● 10	9	1.1	2.2	3	4 ... 6	IIB	T6	5,00
AC1WD09 ●● 12	9	1.8	3	4	5.5 ... 8	IIB	T6	5,00
AC1WD12 ●● 14	12	2.2	4	5.5	7 ... 10	IIB	T6	5.00
AC1WD18 ●● 16	18	3	5.5	7.5	9 ... 13	IIB	T6	5.00
AC1WD18 ●● 21	18	4	7.5	10	12 ... 18	IIB	T6	6.00
ERSA25 ●● 22	25	5.5	11	15	17 ... 25	IIB	T6	9.00
ERSA32 ●● 32	32	7.5	15	18.5	23 ... 32	IIB	T6	10.00
DE8BA40 ●● 340	40	11	18.5	22	30 ... 40	IIB	T6	26.00
DE8BA65 ●● 350	65	15	22	30	37 ... 50	IIB	T6	26.00
DE8BA65 ●● 365	65	15	25	37	48 ... 65	IIB	T6	26.00

Complete the product code by adding the coil voltage, the number and type of cable entries



Cable entries to add to the basic product code				Codes to add		
Thread	Type of cable	Number of entries	Position			
		2	1 on top + 1 on bottom	P1		
		2	2 on bottom	P2		
		3	1 on top + 2 on bottom	P3		
M20	1F for unarmoured cable with clamping module				1	I
	4F for armoured cable				4	I
	Without cable entry				5	I
M25	1F for unarmoured cable with clamping module				6	I
	4F for armoured cable				8	I
	Without cable entry				9	I
M32 (3)	1F for unarmoured cable with clamping module				31	I
	4F for armoured cable				34	I
	Without cable entry				35	I

1) The triple-pole starters Ex d with overload relay without isolator, without fuse. Includes Start and Stop push buttons.

2) In the product code the ●● has to be replaced by one of the following coil voltage code:

P7 for 230V AC

Q7 for 380V AC

V7 for 400 V AC

Example: **AC1WD09 ●● 07** with a coil voltage of 230V AC and 2 x M25 1F cable glands on the positions A,H becomes **AC1WD09P707P16IC**

3) For product codes DE8BA with a rated current of 65A.



The robust range of 3-poles explosion-proof motor starters with thermal relay is ideal for many applications. It is available in three versions:

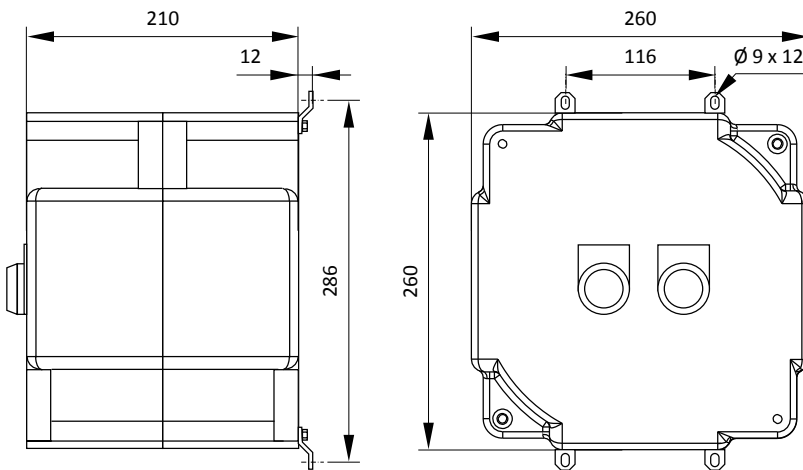
- with thermal overload relay, without contactor and no fuse
- with thermal overload relay and fuses, without contactor
- with thermal overload relay, contactor and fuses

A wide range of enclosures combined with a wide range of thermal overload relays, contactors, with or without fuses, allows customisation of the motor starters for different applications. They meet the highest levels of protection.

Any individual solution available on request.

TECHNICAL DATA

Material	Aluminium
IP rating	IP65 according to EN/IEC 60529
Temperature range	-20°C ... +40°C or +50°C or +60°C
Certificate	IINERIS 03ATEX0121X
Marking	II 2 GD Ex d IIC T6 ... T4 Gb
Electrical features	I _{max} = 65 A; U _{max} = 500 V AC
Mechanical endurance of the push buttons	Head: 5 million operations - Contact block: 1 million operations
Surface treatment	Painting RAL 7032 - Other colour on request



Product code (1) (2)	Rated current A	Motor power			Overload range A	Gas group	T° class	Weight kg
		230 V kW	400 V kW	500 V kW				
DE8WH09 ●● 06	9	-	0.37	0.75	1 ... 1.7	IIC	T3	12,00
DE8WH09 ●● 07	9	0.37	0.75	1.1	1.6 ... 2.5	IIC	T3	12,00
DE8WH09 ●● 08	9	0.75	1.5	2	2.5 ... 4	IIC	T3	12,00
DE8WH09 ●● 10	9	1.1	2.2	3	4 ... 6	IIC	T3	12,00
DE8WH09 ●● 12	9	1.8	3	4	5.5 ... 8	IIC	T3	12,00
DE8WH12 ●● 14	12	2.2	4	5.5	7 ... 10	IIC	T3	12,00
DE8WH18 ●● 16	18	3	5.5	7.5	9 ... 13	IIC	T3	12,00
DE8WH18 ●● 21	18	4	7.5	10	12 ... 18	IIC	T3	12,00
DE8WH25 ●● 22	25	5.5	11	15	17 ... 25	IIC	T3	12,00
DE8WH32 ●● 32	32	7.5	15	18.5	23 ... 32	IIC	T3	12,00
DE8WH40 ●● 340	40	11	18.5	22	30 ... 40	IIC	T3	12,00
DE8WH65 ●● 350	65	15	22	30	37 ... 50	IIC	T3	12,00
DE8WH65 ●● 365	65	15	25	37	48 ... 65	IIC	T3	12,00

Complete the product code by adding the coil voltage, the number and type of cable entries



Cable entries to add to the basic product code				Codes to add		
Thread	Type of cable	Number of entries	Position	P	I	C
		2	1 on top + 1 on bottom	P1		
		2	2 on bottom	P2		
		3	1 on top + 2 on bottom	P3		
M20	1F for unarmoured cable with clamping module			1	I	
	4F for armoured cable			4	I	C
	Without cable entry			5	I	
M25	1F for unarmoured cable with clamping module			6	I	
	4F for armoured cable			8	I	C
	Without cable entry			9	I	
M32 (3)	1F for unarmoured cable with clamping module			31	I	
	4F for armoured cable			34	I	C
	Without cable entry			35	I	

1) The triple-pole starters Ex d with overload relay without isolator, without fuse. Includes Start and Stop push buttons.

2) In the product code the ●● has to be replaced by one of the following coil voltage code:

- P7 for 230V AC
- Q7 for 380V AC
- V7 for 400 V AC

Example: DE8WH09 ●● 07 with a coil voltage of 230V AC and 2 x M25 1F cable glands on the positions A,H becomes DE8WH09P707P16IC

3) For product codes DE8WH with a rated current of 65A.

Safety switches

Increased safety - Group IIC DE1 series

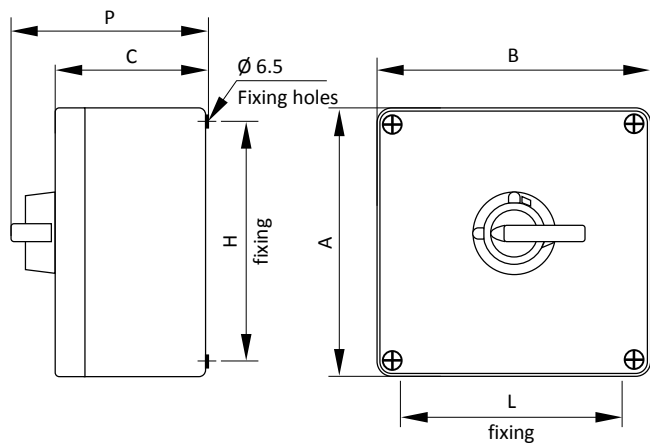


The safety switches are made of polyester (GRP) or stainless steel AISI 316L.

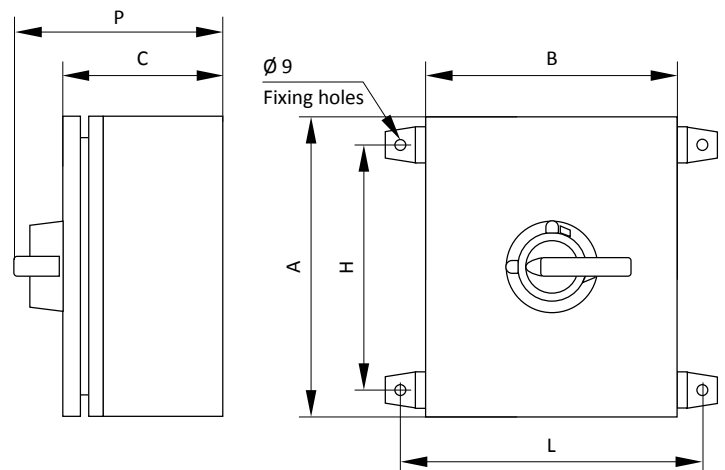
They provide isolation during maintenance or repair of machines in every industrial application in hazardous areas.

TECHNICAL DATA

Material	GRP or Stainless steel AISI 316L						
IP rating	IP66 according to EN/IEC 60529						
Temperature range	-20°C/-50°C ... +40°C/+60°C						
Certificate	INERIS						
Marking	II 2 GD Ex d e IIC T4/T5 Gb Ex tb IIIC T80°C Db IP66						
Polarity	2P or 3/4 poles						
Electrical features	Category AC22A	Rated current	20A	25A	32A	40A	63A
		Rated voltage	690V	690V	690V	690V	690V
	Category AC23A	Rated current	20A	25A	32A	40A	63A
	Rated voltage	-	-	-	690V	690V	
	Rated voltage	500V	500V	500V	500V	500V	
	Category AC3	Rated current	20A	25A	32A	40A	63A
		Rated voltage	500V	500V	500V	-	-
Accessories on request	Earth-stud Breath valves Auxiliary contacts Ambient temperature of -50°C ... +55°C or +60°C						



Enclosure in GRP



Enclosure in stainless steel

Enclosure in glass-reinforced polyester (GRP)

General use (1)	Emergency use (2)	Number poles	Rated current	Cable entries	Dimensions					T° Gas (3)	T° Dust
					A	B	C	P	H x L		
DE1GU202	DE1EU202	2P	20A	2 x M25	160	160	91	125	110 x 140	T4	T80°C
DE1GU204	DE1EU204	3/4P	20A	2 x M25	160	160	91	125	110 x 140	T4	T80°C
DE1GU252	DE1EU252	2P	25A	2 x M25	160	160	91	125	110 x 140	T4	T80°C
DE1GU254	DE1EU254	3/4P	25A	2 x M25	160	160	91	125	110 x 140	T4	T80°C
DE1GU322	DE1EU322	2P	32A	2 x M25	160	160	91	125	110 x 140	T4	T80°C
DE1GU324	DE1EU324	3/4P	32A	2 x M32	160	160	91	125	110 x 140	T4	T80°C
DE1GU402	DE1EU402	2P	40A	2 x M32	250	255	121	155	200 x 235	T4	T80°C
DE1GU404	DE1EU404	3/4P	40A	2 x M40	250	255	121	155	200 x 235	T4	T80°C
DE1GU632	DE1EU632	2P	63A	2 x M40	250	255	121	155	200 x 235	T4	T80°C
DE1GU634	DE1EU634	3/4P	63A	2 x M50	250	255	121	155	200 x 235	T4	T80°C

- 1) The colour of the handle switch is black
- 2) The colour of the handle switch is red and yellow
- 3) Temperature class T5 with an ambient temperature of +40°C or +50°C

Enclosure in stainless steel AISI 316L

General use (1)	Emergency use (2)	Number poles	Rated current	Cable entries	Dimensions					T° Gas (3)	T° Dust
					A	B	C	P	H x L		
SDE1GU202	SDE1EU202	2P	20A	2 x M25	200	150	150	185	150 x 200	T4	T80°C
SDE1GU204	SDE1EU204	3/4P	20A	2 x M25	200	150	150	185	150 x 200	T4	T80°C
SDE1GU252	SDE1EU252	2P	25A	2 x M25	200	150	150	185	150 x 200	T4	T80°C
SDE1GU254	SDE1EU254	3/4P	25A	2 x M25	200	150	150	185	150 x 200	T4	T80°C
SDE1GU322	SDE1EU322	2P	32A	2 x M25	200	150	150	185	150 x 200	T4	T80°C
SDE1GU324	SDE1EU324	3/4P	32A	2 x M32	200	150	150	185	150 x 200	T4	T80°C
SDE1GU402	SDE1EU402	2P	40A	2 x M32	300	200	150	185	250 x 250	T4	T80°C
SDE1GU404	SDE1EU404	3/4P	40A	2 x M40	300	200	150	185	250 x 250	T4	T80°C
SDE1GU632	SDE1EU632	2P	63A	2 x M40	300	200	150	185	250 x 250	T4	T80°C
SDE1GU634	SDE1EU634	3/4P	63A	2 x M50	300	200	150	185	250 x 250	T4	T80°C

- 1) The colour of the handle switch is black
- 2) The colour of the handle switch is red and yellow
- 3) Temperature class T5 with an ambient temperature of +40°C or +50°C

Accessories

Product code	Description	Product code	Description
DE1VE	Breather valve	ZBWE101 (4)	Auxiliary contact NO - Max. 2 contacts
DE1TT	Earth-stud	ZBWE102 (4)	Auxiliary contact NC - Max. 2 contacts

(4) The contacts NO and NC can be mixed to fit 1NO + 1NC

**Ex-tech Solution**

22, impasse de la Volute - ZA Les montagnes
BP 20708 - 16430 Champniers - France
Tél: + 33 5 45 93 01 10 - Fax: + 33 5 45 93 01 15
email: sales.solution@ex-tech.no

Ex-tech System

Maskinveien 12, p.o.box 256 forus,
4066 Stavanger - Norway
Tél: + 47 51 63 00 70 - Fax: + 47 51 63 00 72
email: post@ex-tech.no

Ex-tech Signalling

355, rue de la Génoise - ZA Les montagnes
16430 Champniers - France
Tél: + 33 5 45 61 81 68 - Fax: +33 5 45 23 29 46
email: sales.signalling@ex-tech.no

Ex-tech Group AS

Maskinveien 12, p.o.box 256 forus,
4066 Stavanger, Norway
Tél: + 47 51 63 00 70 - Fax: + 47 51 63 00 72
email: post@ex-tech.no



www.ex-tech.no

